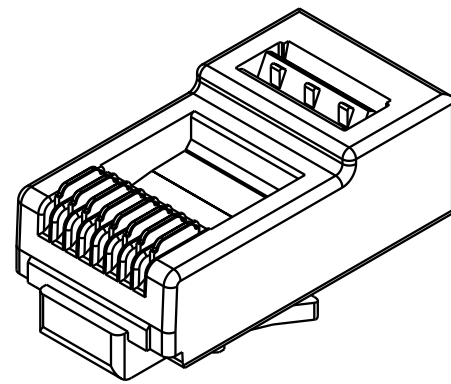
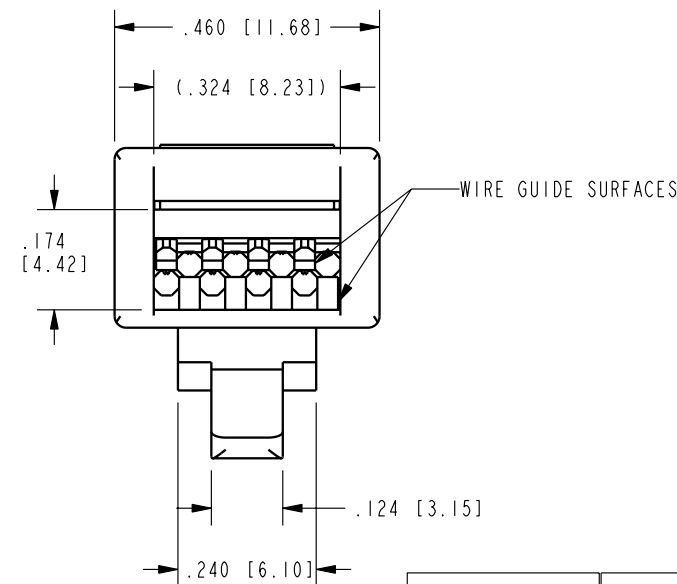
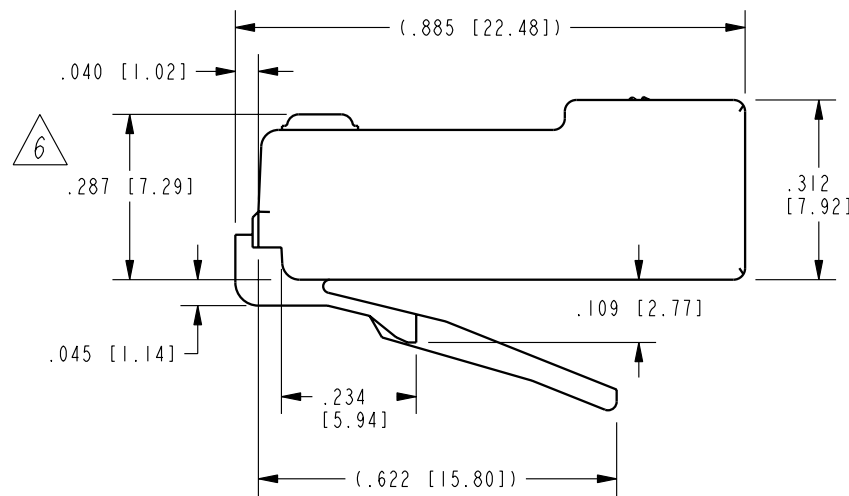
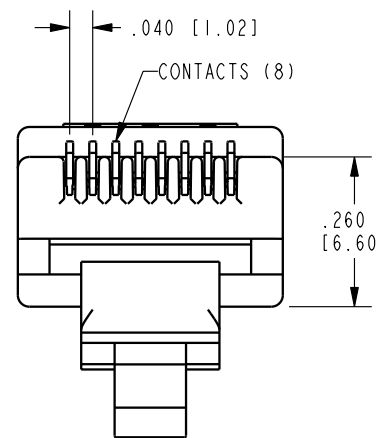
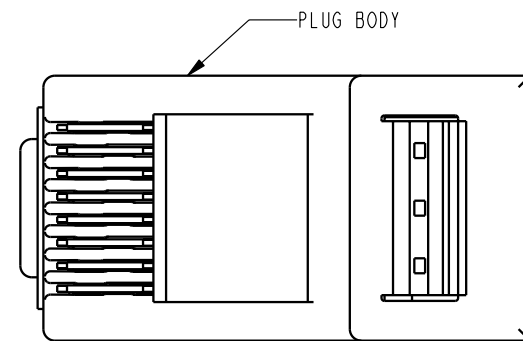


DATE	REV.	ECN	APP'D BY
9-18-06	A4	7758	TRM
10-31-06	A5	7810	TRM
11-30-06	B0	7851	TRM

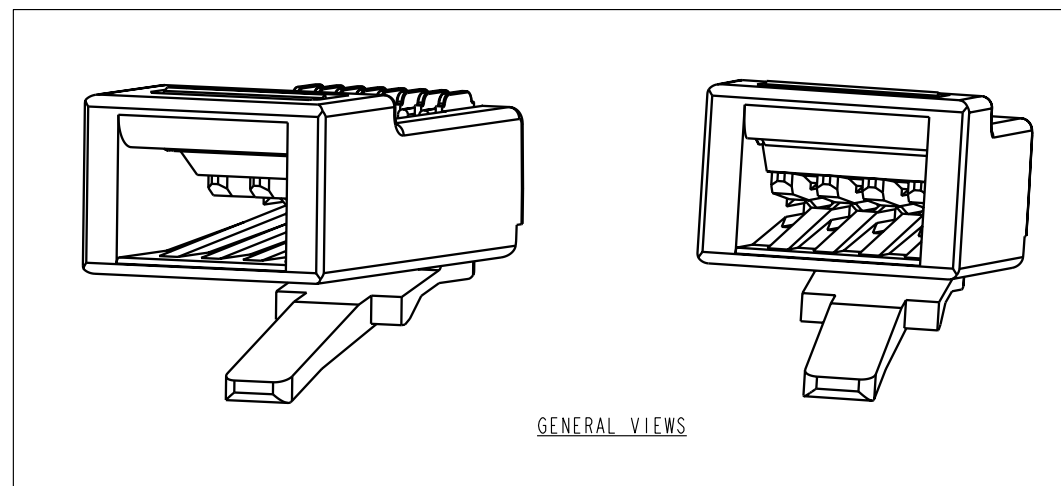


PLUG HOUSING
SCALE 2.5



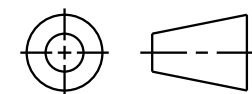
- NOTES:
- PART CONSISTS OF:
PRE-INSERTED PLUG BODY
 - MATERIALS:
FRONT HOUSING PLASTIC : CLEAR POLYCARBONATE, UL 94-V0
CONTACTS : PHOSPHOR BRONZE, SELECTIVE GOLD PLATING
 - CONTACTS TERMINATE SOLID OR STRANDED CONDUCTORS BETWEEN .037 [0.94] TO .042 [1.07] OUTSIDE DIAMETER OF INSULATION
 - PLUG SPECIFICATION: FOR CATEGORY 5 APPLICATIONS.
 - TOLERANCES COMPLY WITH FCC DIMENSION REQUIREMENTS.
- 6 TERMINATED PLUG HEIGHT: .237 [6.02] ±.005 [0.13]
7. FOR PRODUCT SPECIFICATION SEE PR026-01.

BAG OF 50	50 MICRO-INCHES [1.27um]	SS-37000-008
BAG OF 25	50 MICRO-INCHES [1.27um]	SS-37000-006
BULK	50 MICRO-INCHES [1.27um]	SS-37000-002
PACKAGE	CONTACT PLATING IN MATING AREA	PART NUMBER



GENERAL VIEWS

THIRD ANGLE PROJECTION



DO NOT SCALE DRAWING
DRAWING IS SUBJECT TO
CHANGE WITHOUT NOTICE

DIMENSIONS: INCHES [METRIC]

UNLESS OTHERWISE SPECIFIED
TOLERANCES ARE ±.005 [0.13]
ANGLES ARE ±1°

SHEET NO.
1 OF 1



Bel Stewart Connector

11118 Susquehanna Trail South
Glen Rock, PA 17327-9199
(717) 235-7512 Fax: (717) 235-7954 <http://www.stewartconnector.com>

TITLE: UNSHIELDED CAT 5e PLUG

THIS DRAWING AND THE SUBJECT MATTER SHOWN THEREON ARE CONFIDENTIAL AND THE PROPRIETARY PROPERTY OF BEL STEWART CONNECTOR AND SHALL NOT BE REPRODUCED, COPIED, OR USED IN ANY MANNER WITHOUT PRIOR WRITTEN CONSENT OF BEL STEWART CONNECTOR. THE SUBJECT MATTER MAY BE PATENTED OR A PATENT MAY BE PENDING.

DRN BY:	JRC	DATE	5-30-01
APPD BY:	DAB	DATE	5-30-01
DWG. NO.	CT370039	REV.	B0